

Katalog náhradních dílů
Spare Parts List

GARUDAN[®]

GF-130-543 H/L 40



ANITA B s.r.o.

Průmyslová 2453/7

680 01 Boskovice

Czech Republic

tel: +420 516 454 774

+420 516 453 496

fax: +420 516 452 751

e-mail: info@anita.cz

Všechna práva vyhrazena.

Vlastnictví Anita B s r.o. a chráněno autorským právem. Použití tohoto obsahu bez písemného souhlasu Anita B s r.o. zakázáno.

Copyright © Anita B s r.o. (2016)

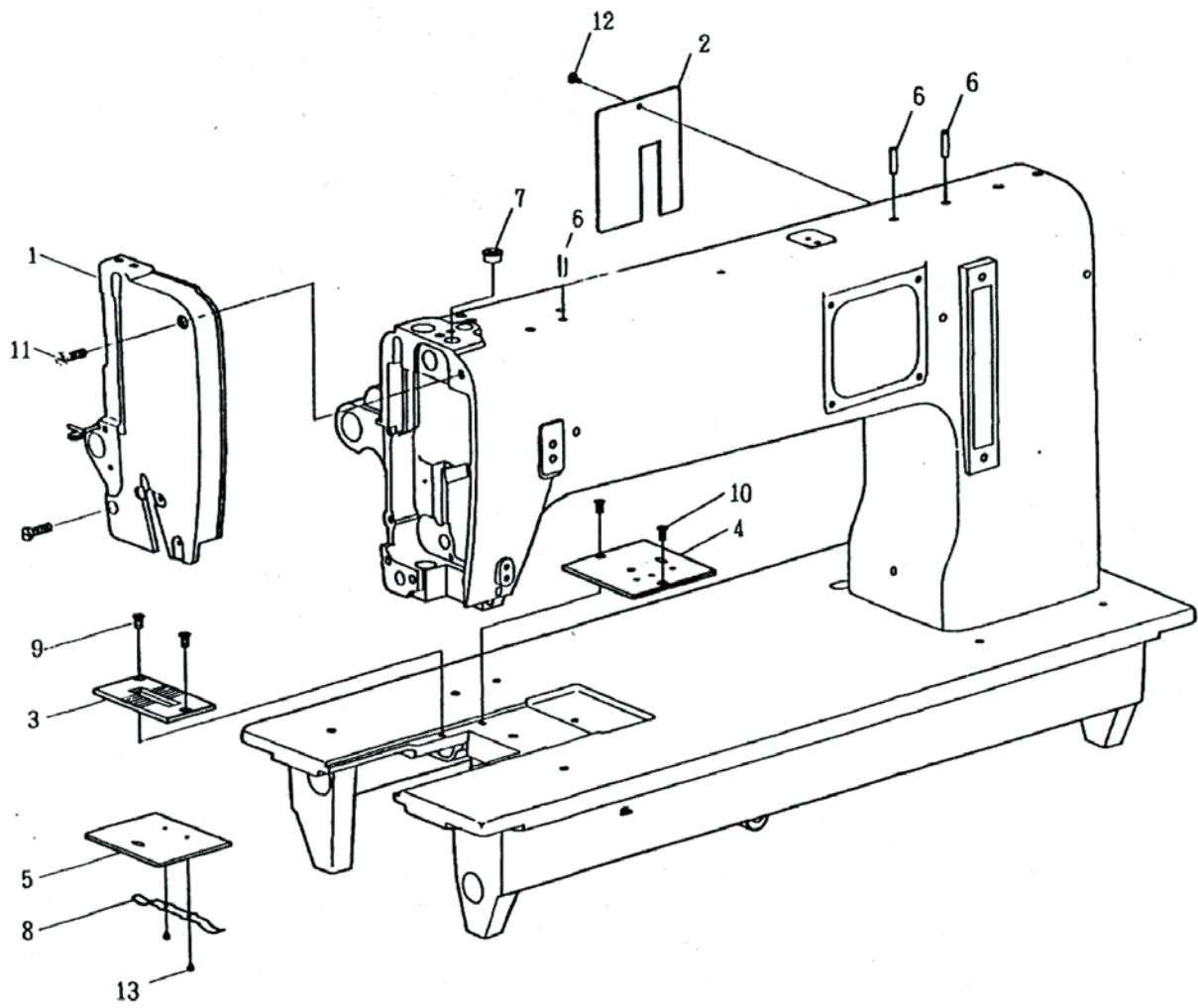
All rights reserved

All rights reserved property of Anita B and protected by copyright. The use of this content without written permission is prohibited. Copyright © Anita B s r.o. (2016)

Content/Obsah

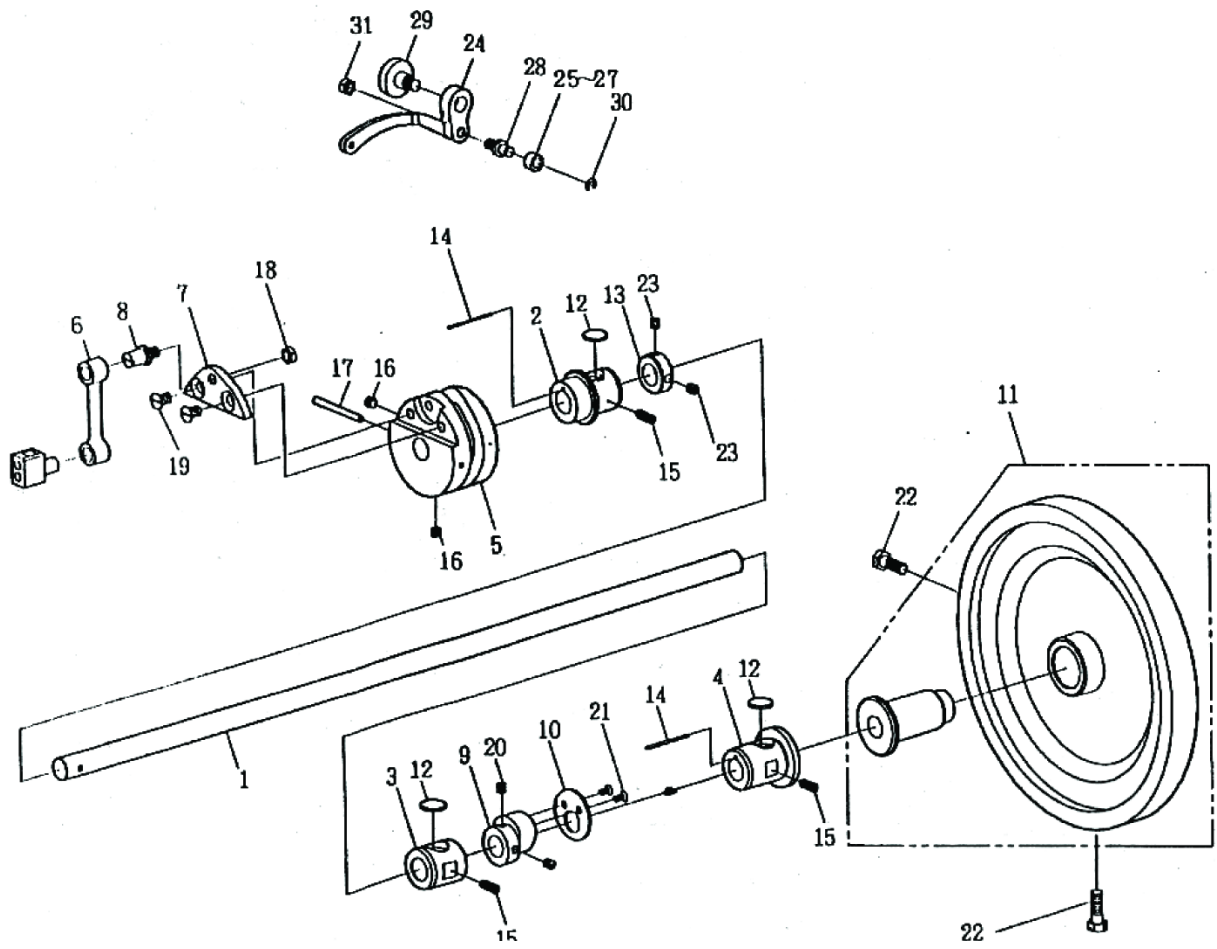
A. FRAME & MISCELLANEOUS COVER COMPONENT	4
B . MAIN SHAFT COMPONENTS	6
C. NEEDLE BAR UPPER FEED MECHANISM COMPONENTS (1/3)	8
C. NEEDLE BAR UPPER FEED MECHANISM COMPONENTS (2/3)	10
C. NEEDLE BAR UPPER FEED MECHANISM COMPONENTS (3/3)	12
D. PRESSURE BAR COMPONENTS	14
E. FEED MECHANISM COMPONENTS (1/2)	16
E. FEED MECHANISM COMPONENTS (2/2)	18
F. HOOK DRIVING SHAFT COMPONENTS (1/2).....	20
F. HOOK DRIVING SHAFT COMPONENTS (2/2).....	22
G. TENSION POST COMPONENTS.....	24
H. THREAD WINDER & THREAD GUIDE COMPONENTS (1/2)	26
H. THREAD WINDER & THREAD GUIDE COMPONENTS (2/2)	28
I. KNEE LIFTER COMPONENTS (1/2)	30
I. KNEE LIFTER COMPONENTS (2/2)	32
J. BELT COVER COMPONENTS.....	34
K. THREAD STAND COMPONENTS.....	36
L. TABLE COMPONENTS.....	38
M. ACCESSORIES PARTS COMPONENTS.....	40

A. FRAME & MISCELLANEOUS COVER COMPONENT



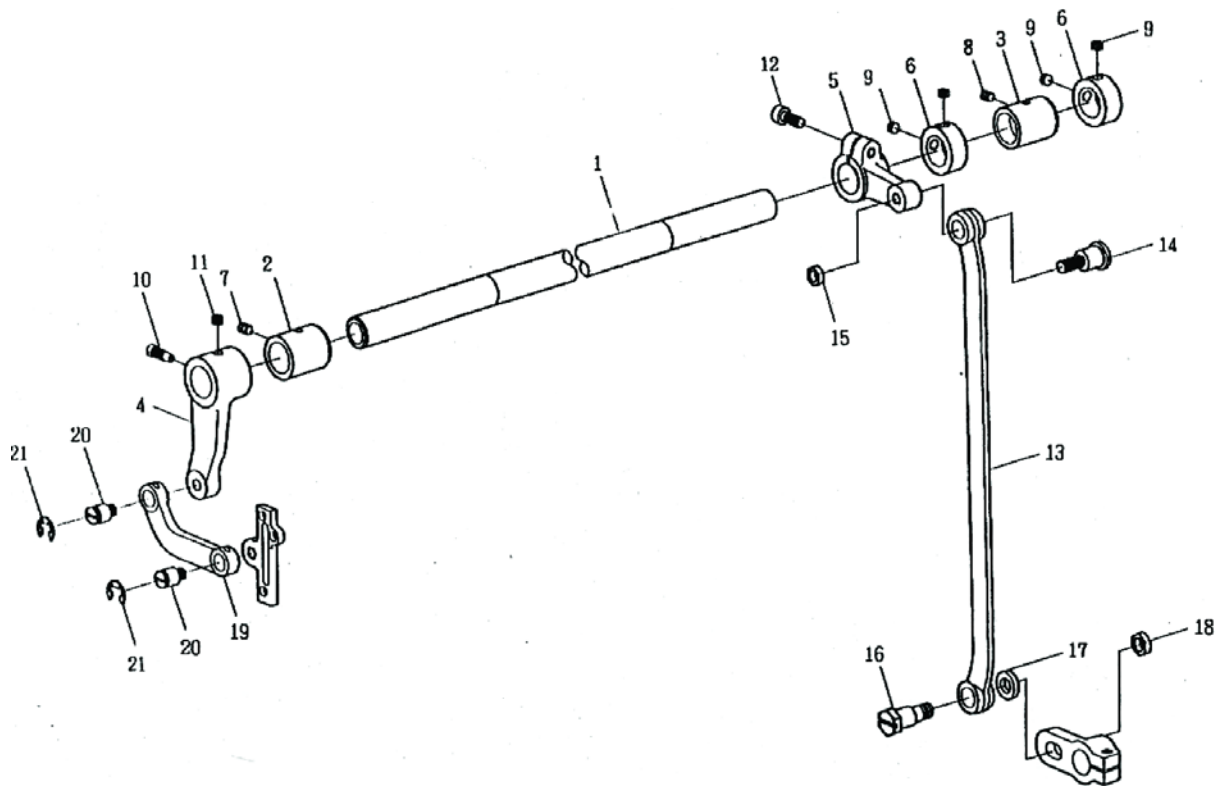
A. FRAME & MISCELLANEOUS COVER COMPONENTS				
REF. NO	PARTS. NO	NAME OF PARTS	QTY	NOTE
1	7243-01-0010	Face Plate Asm.	1	
2	7243-01-0020	Side Cover	1	
3	7243-01-0030	Throat Plate	1	
4	7243-01-0040	Slide Plate (Right)	1	
5	7243-01-0050	Slide Plate (Left)	1	
6	7243-01-0060	Oil Pipe	3	
7	7243-01-0070	Rubber Plug	1	
8	7243-01-0080	Slide Plate Spring	1	
9	7243-01-0090	Screw 11/64-40 L=6.5	2	
10	7243-01-0090	Screw 11/64-40 L=6.5	2	
11	7243-01-0100	Screw 15/64-28 L=21	2	
12	7243-01-0110	Screw 9/64-40 L=7	1	
13	7243-01-0120	Screw 3/32-56 L=2.5	2	

B . MAIN SHAFT COMPONENTS



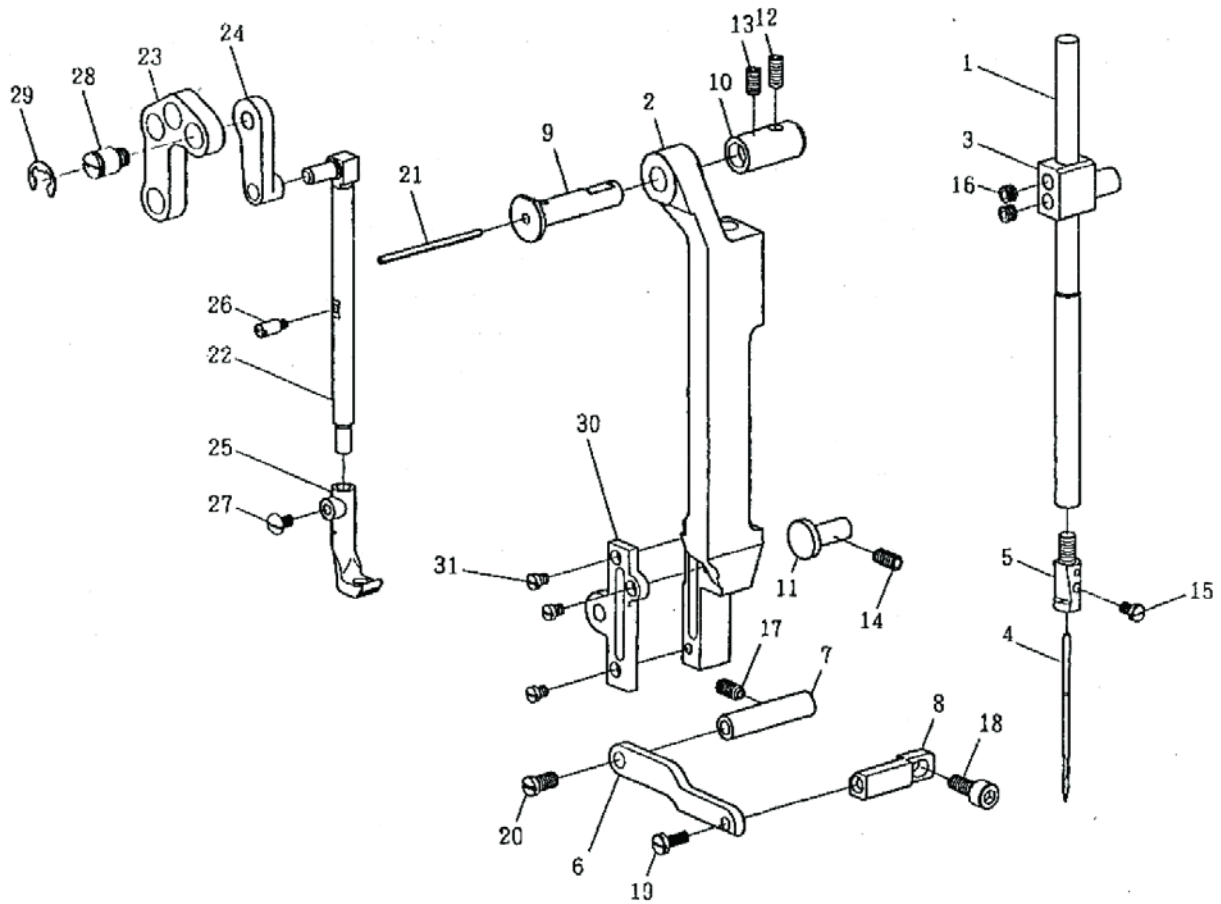
B. MAIN SHAFT COMPONENTS				
REF. NO	PARTS. NO	NAME OF PARTS	QTY	NOTE
1	7243-02-0010	Main Shaft	1	
2	7243-02-0020	Main Shaft Bushing, Front	1	
3	7243-02-0030	Main Shaft Bushing, Center	1	
4	7243-02-0040	Main Shaft Bushing, Rear	1	
5	7243-02-0050	Thread Take Up Cam	1	
6	7243-02-0060	Needle Bar Crank Rod	1	
7	7243-02-0070	Crank Plate	1	
8	7243-02-0080	Needle Bar Crank Shaft	1	
9	7243-02-0090	Feed Cam	1	
10	7243-02-0100	Side Plate	1	
11	H7204C8001	Hand Wheel Asm.	1	
12	7243-02-0120	Felt	3	
13	7243-02-0130	Thrust Coller	1	
14	7243-02-0140	Oil Wick	2	
15	7243-02-0150	Screw 15/64-258 L=15	3	
16	7243-02-0160	Screw 1/4-40 L=6	2	
17	7243-02-0170	Tapered Pin 4.0x45	1	
18	7243-02-0180	Nut 9/32-28	1	
19	7243-02-0190	Screw 9/32-28 L=22	2	
20	7243-02-0200	Screw 15/64-28 L=7	2	
21	7243-02-0210	Screw 11/64-40	2	
22	7243-02-0220	Screw 5/16-24 L=21	2	
23	7243-02-0230	Screw 1/4-40 L=6	2	
24	7243-02-0240	Thread Take Up Lever	1	
25	7243-02-0250	Roller	1	
26 #01	7243-02-0260	Roller	1	
27 #01	7243-02-0270	Roller	1	
28	7243-02-0280	Roller Stud	1	
29	7243-02-0290	Hinge Screw	1	
30	7243-02-0300	E-Shaped Snap Ring (4 mm)	1	
31	7243-02-0310	Nut 9/32-28	1	

C. NEEDLE BAR UPPER FEED MECHANISM COMPONENTS (1/3)

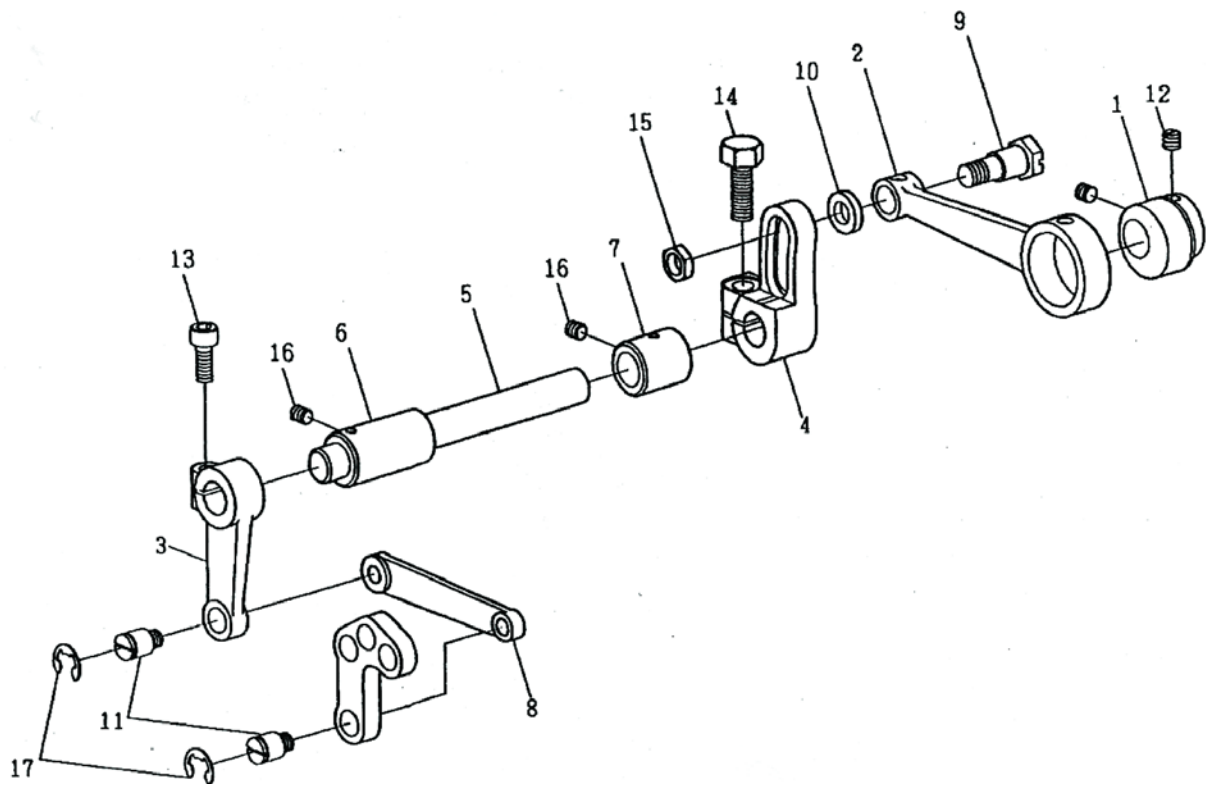


C. NEEDLE BAR UPPER FEED MECHANISM COMPONENTS (1/3)				
REF. NO	PARTS. NO	NAME OF PARTS	QTY	NOTE
1	7243-03-0010	Driving Shaft	1	
2	7243-03-0020	Driving Shaft Front Metal	1	
3	7243-03-0030	Driving Shaft Rear Metal	1	
4	7243-03-0040	Driving Shaft Rod, Front	1	
5	7243-03-0050	Driving Shaft Rod, Rear	1	
6	7243-03-0060	Thrust Collar D=18 W=12	2	
7	7243-02-0200	Screw 15/64-28 L=7	1	
8	7243-03-0080	Screw 15/64-28 L=7	1	
9	7243-03-0090	Screw 1/4-40 L=4.5	4	
10	7243-03-0100	Screw 15/64-28 L=14.5	1	
11	7243-03-0110	Screw 1/4-40 L=4.5	1	
12	72433-03-0120	Screw M6x1 L=15	1	
13	7243-03-0130	Lenghtwise Feed Rod	1	
14	7243-03-0140	Hinge Screw 9/32-28 D=12 L=12	1	
15	7243-02-0310	Nut 9/32-28	1	
16	7243-03-0160	Hing Screw 11/32-28 D=11.11 L=12.7	1	
17	7243-03-0170	Washer ϕ 16x3.6d=8.8	1	
18	7243-03-0180	Nut 11/32-28	1	
19	7243-03-0190	Frame Driving Link	1	
20	7243-03-0200	Hinge Screw 9/32-28	2	
21	7243-03-0210	E-Shaped Snap Ring (8 mm)	2	

C. NEEDLE BAR UPPER FEED MECHANISM COMPONENTS (2/3)

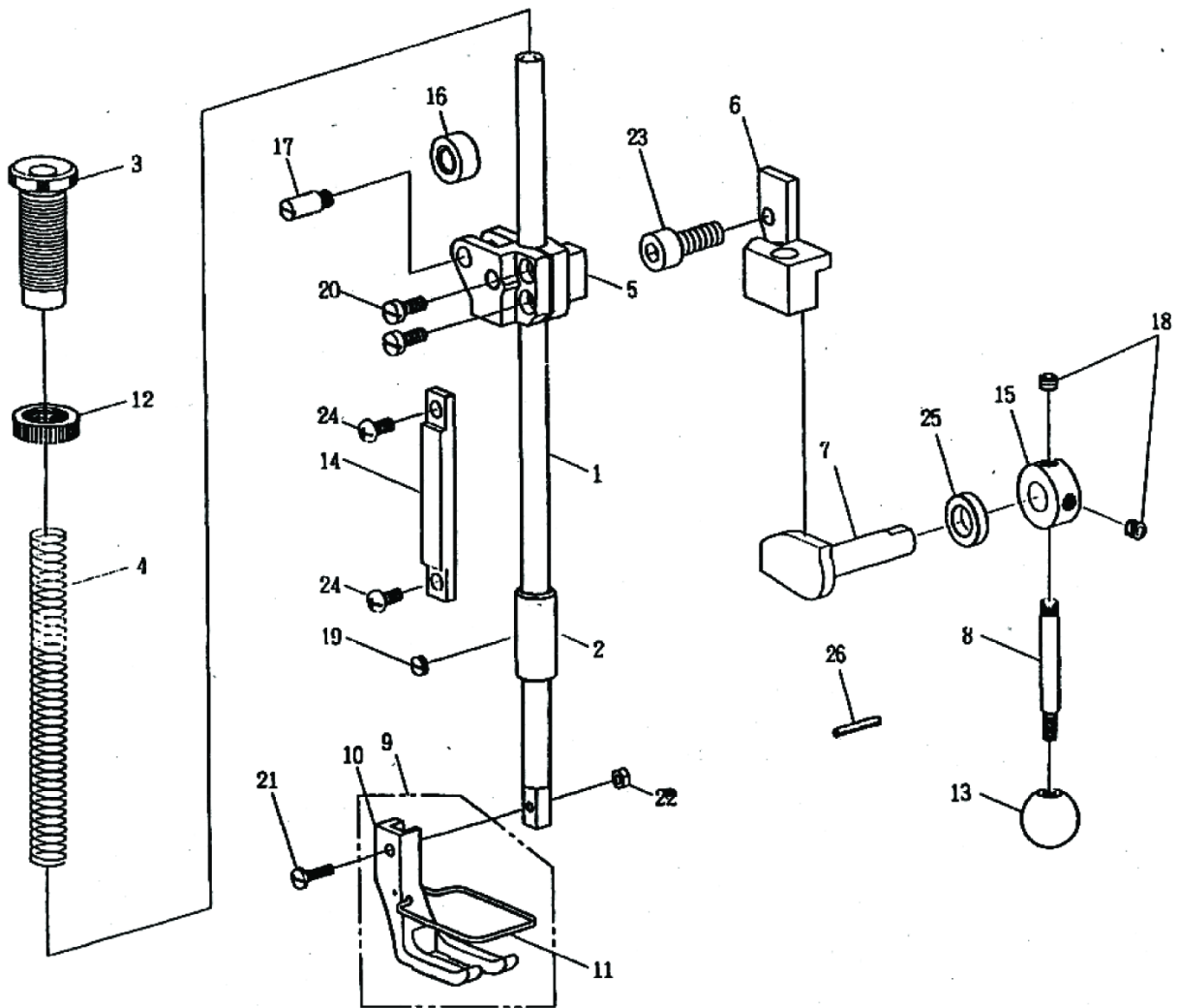


C. NEEDLE BAR UPPER FEED MECHANISM COMPONENTS (2/3)				
REF. NO	PARTS. NO	NAME OF PARTS	QTY	NOTE
1	7243-04-0010	Needle Bar	1	
2	7243-04-0020	Frame Driving Base	1	
3	7243-04-0030	Needle Bar Connection	1	
4	7243-04-0040	Needle (794 Nm=230)	1	
5	7243-04-0050	Needle Stopper	1	
6	7243--04-0060	Pressure Plate	1	
7	7243-04-0070	Setting Shaft	1	
8	7243-04-0080	Setting Plate	1	
9	7243-04-0090	Frame Driving Base Shaft	1	
10	7243-04-0100	Frame Driving Base Shaft Metal	1	
11	7243-04-0110	Frame Driving Base Guide	1	
12	7243-04-0120	Screw 15/64x28 L=12	1	
13	7243-04-0130	Screw 15/64x28 L=12	1	
14	7243-04-0140	Screw M6x1 L=12	1	
15	7243-04-0150	Screw 11/64-40 L=7	1	
16	7243-04-0160	Screw 1/4-40 L=4.5	2	
17	7243-04-0170	Screw 15/64x28 L=12	1	
18	7243-04-0180	Screw M6x1 L=21	1	
19	7243-04-0190	Screw 11/64-40 L=12	1	
20	7243-04-0200	Screw 15/64-28 L=10.5	1	
21	7243-04-0210	Oil Wick	1	
22	7243-04-0220	Upper Feed Bar	1	
23	7243-04-0230	L Link	1	
24	7243-04-0240	Upper Feed Frame Driving Link	1	
25	7243-04-0250	Pressure Foot	1	
26	7243-04-0260	Upper Feed Bar Pin	1	
27	7243-04-0270	Screw 11/64-40 L=7	1	
28	7243-03-0200	Hinge Screw 9/32-28	2	
29	7243-03-0210	E-Shaped Snap Ring (8 mm)	2	
30	7243-04-0300	Guide Plate	1	
31	7243-04-0310	Screw 11/64-40 L=4.5	3	

C. NEEDLE BAR UPPER FEED MECHANISM COMPONENTS (3/3)

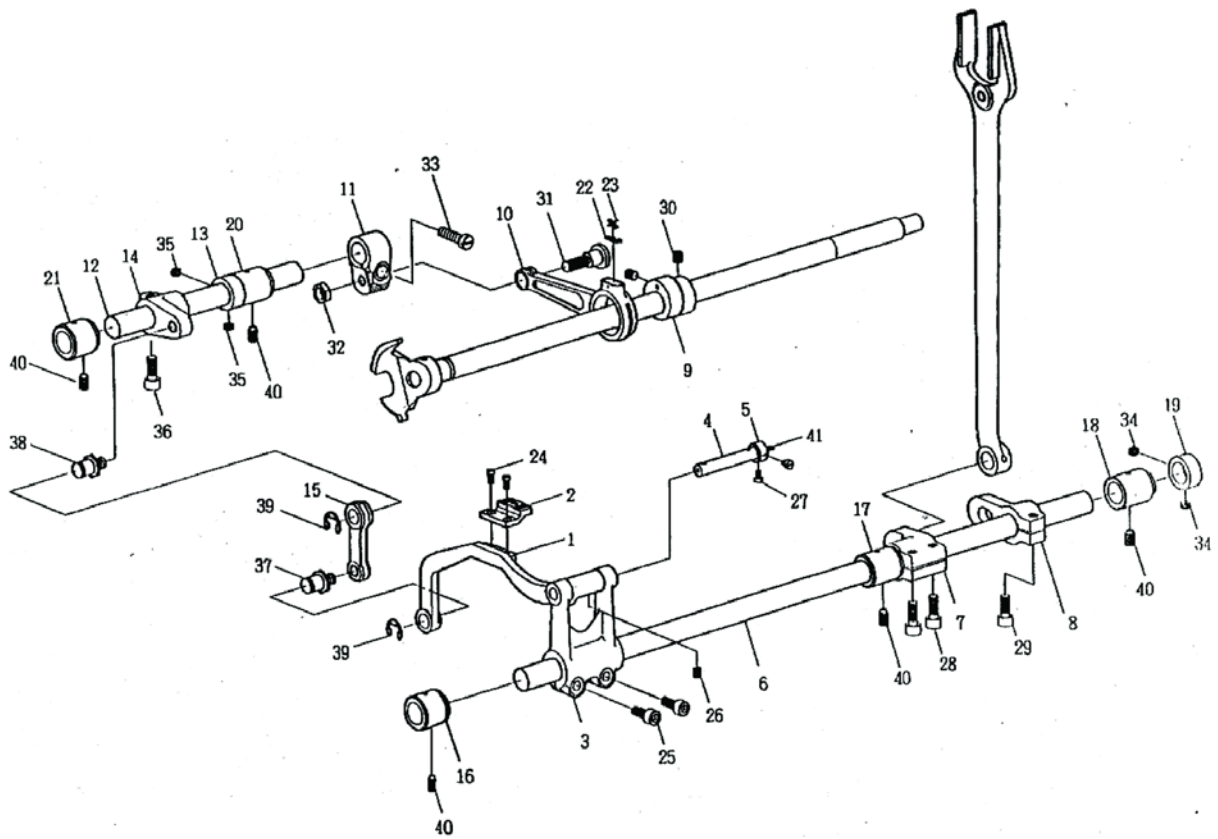
C. NEEDLE BAR UPPER FEED MECHANISM COMPONENTS (3/3)				
REF. NO	PARTS. NO	NAME OF PARTS	QTY	NOTE
1	7243-05-0010	Driving Cam	1	
2	7243-05-0020	Connecting Rod	1	
3	7243-05-0030	Driving Shaft Arm, Front	1	
4	7243-05-0040	Driving Shaft Arm, Rear	1	
5	7243-05-0050	Feed Rocker Shaft	1	
6	7243-05-0060	Bushing, Front	1	
7	7243-05-0070	Bushing, Rear	1	
8	7243-05-0080	Rod	1	
9	7243-03-0160	Hinge Screw 11/32-28 D=11.11 L=12.7	1	
10	7243-03-0170	Washer ϕ 6x3.5 d=8.8	1	
11	7243-03-0200	Hing Screw 9/32-28	2	
12	7243-02-0230	Screw 1/4-40 L=6	2	
13	7243-03-0120	Screw M6x1 L=15	1	
14	7243-05-0140	Screw 5/16-18 L=19	1	
15	7243-03-0180	Nut 11/32-28	1	
16	7243-02-0200	Screw 15/64-28 L=7	2	
17	7243-03-0210	E-Shaped Snap Ring (8 mm)	2	

D. PRESSURE BAR COMPONENTS



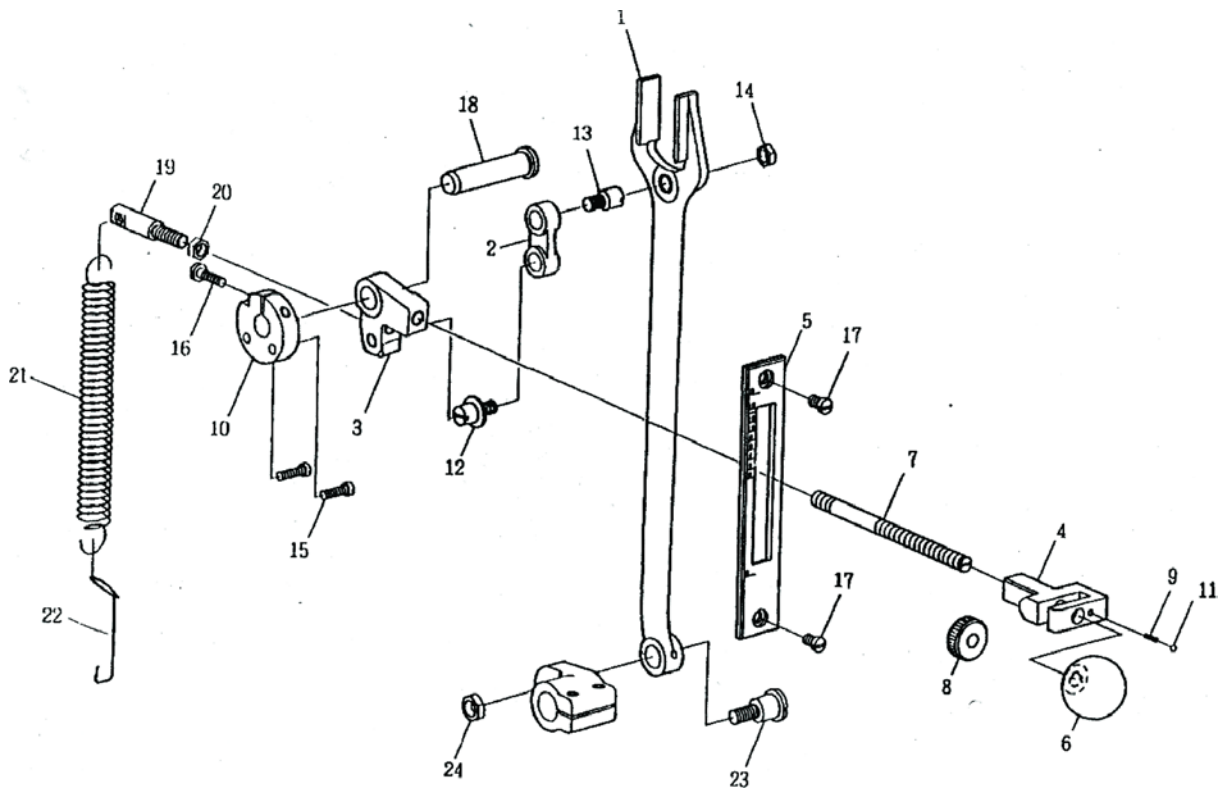
D. PRESSUPE BAR COMPONENTS				
REF. NO	PARTS. NO	NAME OF PARTS	QTY	NOTE
1	7243-06-0010	Presser Bar	1	
2	7243-06-0020	Presser Bar Bushing	1	
3	7243-06-0030	Screw	1	
4	7243-06-0040	Spring	1	
5	7243-06-0050	Presser Bar Guide Bracket	1	
6	7243-06-0060	Hand Lifter Link	1	
7	7243-07-0070	Hand Lifter Cam	1	
8	7243-07-0080	Hand Lifter Lever	1	
9	7243-07-0090	Pressure Foot (Standard) Asm.	1	
10	7243-07-0100	Pressure Foot (standard)	1	
11	7243-07-0110	Guard	1	
12	7243-07-0120	Nut	1	
13	7243-07-0130	Grip	1	
14	7243-07-0140	Guide Plate	1	
15	7243-07-0150	Thrust Collar	1	
16	7243-07-0160	Roller Follower	1	
17	7243-07-0170	Guide Pin	1	
18	7243-03-0110	Screw 1/4-40 L=4.5	2	
19	7243-07-0190	Screw 15/64-28 L=2.5	1	
20	7243-07-0200	Screw 3/16-28 L=12	2	
21	7243-07-0210	Screw 9/64-40 L=13.5	1	
22	7243-07-0220	Nut 9/64-40	1	
23	7243-07-0230	Screw 1/4-40 L=6.5	1	
24	7243-07-0240	Screw 3/16-32 L=10	2	
25	72433-07-0250	Collar	1	
26	7243-07-0260	Spring Pin 3.0x20	1	

E. FEED MECHANISM COMPONENTS (1/2)



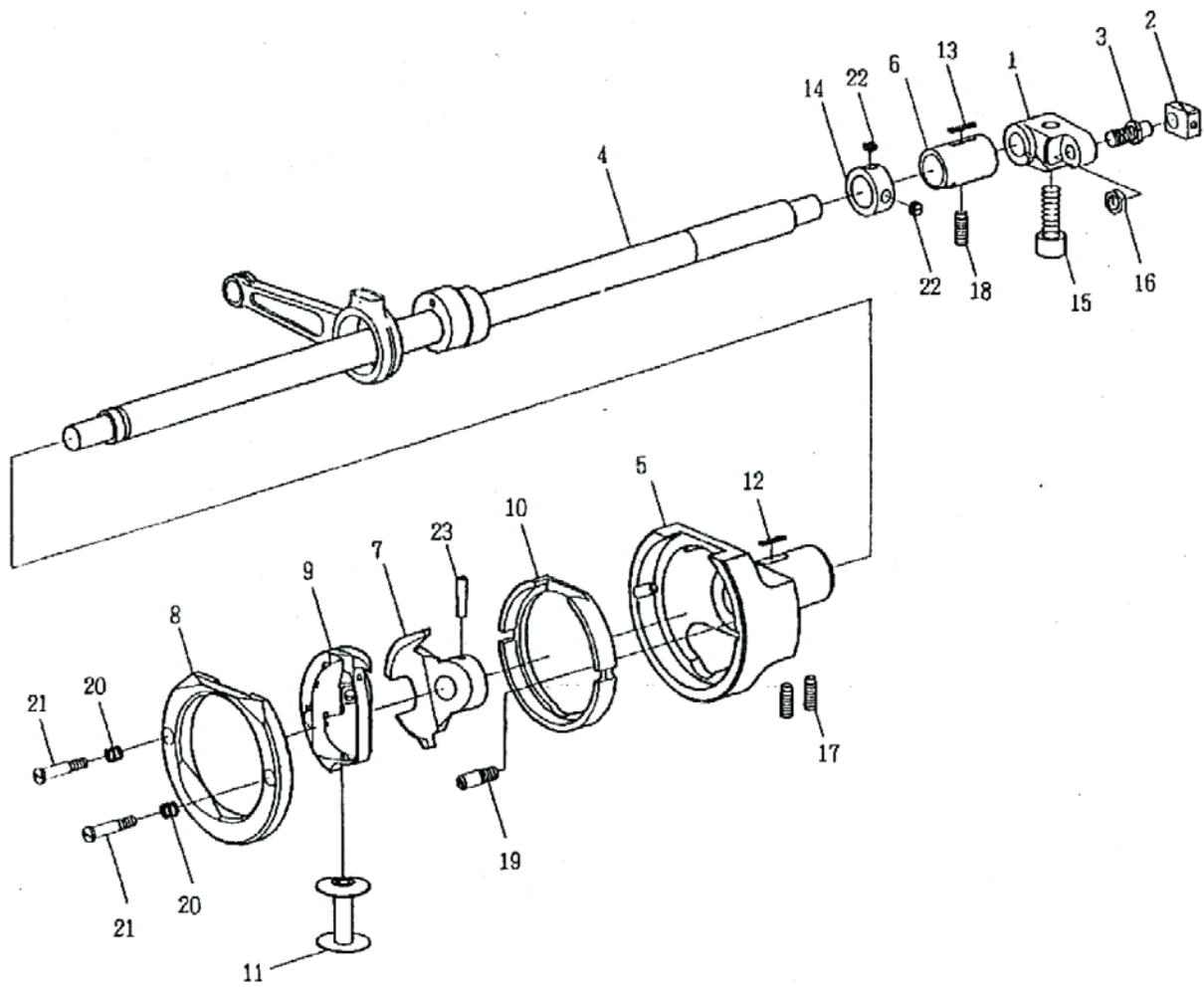
E. FEED MECHANISM COMPONENTS (1/2)				
REF. NO	PARTS. NO	NAME OF PARTS	QTY	NOTE
1	7243-08-0010	Feed Bar	1	
2	7243-08-0020	Feed Dog	1	
3	7243-08-0030	Feed Bar Rod	1	
4	7243-08-0040	Feed Bar Shaft	1	
5	7243-08-0050	Thrust Collar	1	
6	7243-08-0060	Feed Rocker Shaft	1	
7	7243-08-0070	Feed Rocker Shaft Crank	1	
8	7243-08-0080	Feed Rocker Shaft Crank (rear)	1	
9	7243-08-0090	Feed Lifting Rock Cam	1	
10	7243-08-0100	Feed Rod	1	
11	7243-08-0110	Feed Lifting Rock Link	1	
12	7243-08-0120	Feed Lifting Rock Shaft	1	
13	7243-08-0130	Thrust Collar D=14.72 W=10	1	
14	7243-08-0140	Feed Lifting Rock Link (Front)	1	
15	7243-08-0150	Feed Lifting Link	1	
16	7243-08-0160	Bushing Front	1	
17	7243-08-0170	Driving Shaft Metal	1	
18	7243-08-0180	Bushing Rear	1	
19	7243-08-0130	Thrust Collar D=14.72 W=10	1	
20	7243-08-0170	Driving Shaft Metal	1	
21	7243-08-0180	Bushing Rear	1	
22	7243-08-0220	Felt	1	
23	7243-08-0230	Spring	1	
24	7243-08-0240	Screw 9/64-40 L=6.5	2	
25	7243-03-0120	Screw M6x1 L=15	2	
26	7243-08-0260	Screw 3/16-32 L=7	1	
27	7243-08-0270	Screw 9/64-40 L=4.5	2	
28	7243-03-0120	Screw M6x1 L=15	2	
29	7243-03-0120	Screw M6x1 L=15	1	
30	7243-08-0300	Screw 1/4-40 L=7	2	
31	7243-08-0310	Hinge Screw 9/32-28 D=10 L=9.5	1	
32	7243-020310	Nut 9/32-28	1	
33	7243-01-0100	Screw 15/64-28 L=18	1	
34	7243-08-0340	Screw 1/4-40 L=3.5	2	
35	7243-08-0340	Screw 1/4-40 L=3.5	2	
36	7243-03-0120	Screw M6x1 L=15	1	
37	7243-08-0370	Hinge Screw 5/16-24	1	
38	7243-08-0370	Hinge Screw 5/16-24	1	
39	7243-03-0210	E-Shaped Snap Ring (8 mm)	2	
40	7243-08-0400	Screw 15/64-28 L=10.5	5	
41	7243-08-0410	Oil Wick ϕ 2.0x130	1	

E. FEED MECHANISM COMPONENTS (2/2)



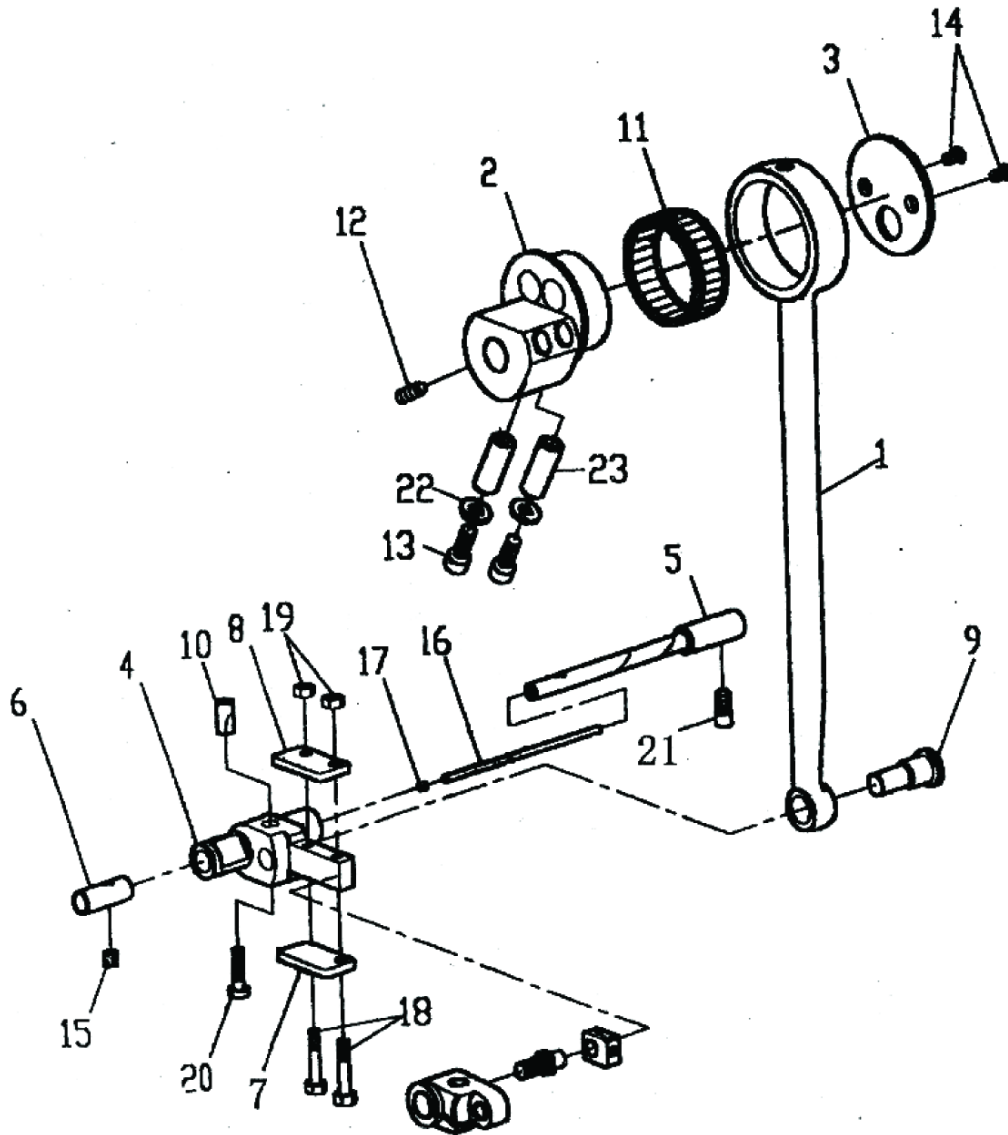
E. FEED MECHANISM COMPONENTS (2/2)				
REF. NO	PARTS. NO	NAME OF PARTS	QTY	NOTE
1	7243-09-0010	Rod	1	
2	7243-09-0020	Feed Connecting Link	1	
3	7243-09-0030	Feed Regulator	1	
4	7243-09-0040	Lever	1	
5	7243-09-0050	Side Cover	1	
6	7243-09-0060	Lever Grip	1	
7	7243-09-0070	Lever Shaft	1	
8	7243-09-0080	Nut	1	
9	7243-09-0090	Spring	1	
10	7243-09-0100	Support Plat	1	
11	7243-09-0110	Ball	1	
12	7243-09-0120	Hinge Screw 9/32-28	1	
13	7243-09-0130	Hinge Screw 9/32-28	1	
14	7243-02-0310	Nut 9/32-28	1	
15	7243-09-0150	Screw 3/16-28 L=12	2	
16	7243-09-0160	Screw 3/16-32 L=18	1	
17	7243-09-0170	Screw 15/64-28 L=9	2	
18	7243-09-0180	Feed Regulator Shaft	1	
19	7243-09-0190	Spring Hook Screw	1	
20	7243-09-0200	Nut 9/32-28	1	
21	7243-09-0210	Spring	1	
22	7243-09-0220	Spring Hook	1	
23	7243-03-0140	Hinge Screw 9/32-28 D=12 L=12	1	
24	7243-02-0310	Nut 9/32-28	1	

F. HOOK DRIVING SHAFT COMPONENTS (1/2)



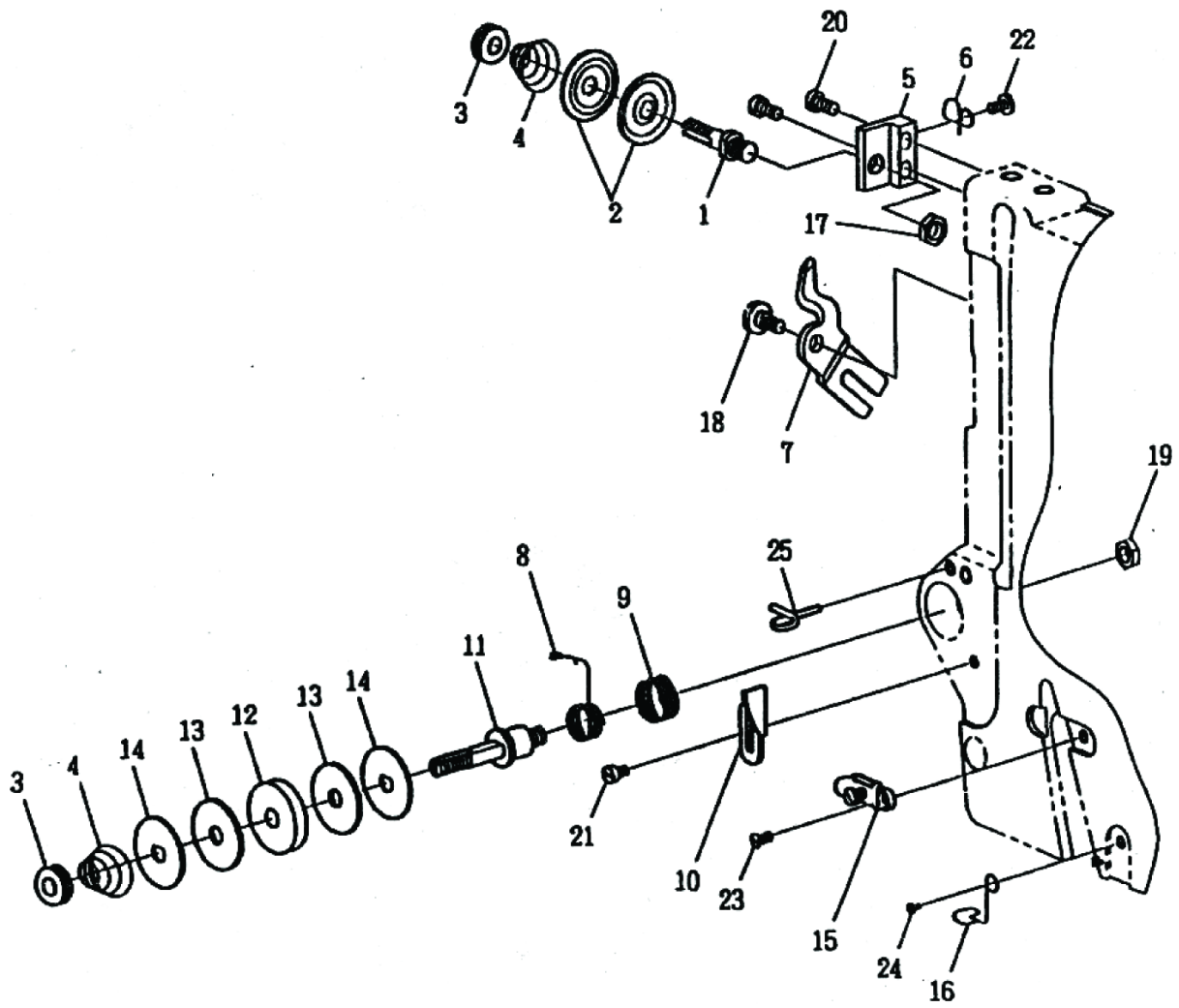
F. HOOK DRIVING SHAFT COMPONENTS (1/2)				
REF. NO	PARTS. NO	NAME OF PARTS	QTY	NOTE
1	7243-10-0010	Hook Driving Shaft Crank	1	
2	7243-10-0020	Crank Slide Block	1	
3	7243-10-0030	Slide Block Stud	1	
4	7243-10-0040	Hook Driving Shaft	1	
5	7243-10-0050	Bushing, Front	1	
6	7243-10-0060	Bushing, Rear	1	
7	7243-10-0070	Shuttle Driver	1	
8	7243-10-0080	Hook Cover	1	
9	7243-10-0090	Hook Asm.	1	
10	7243-10-0100	Shuttle Race Body	1	
11	7243-10-0110	Bobbin	1	
12	7243-08-0220	Felt	1	
13	7243-10-0130	Oil Felt	1	
14	7243-08-0130	Thrust Collar D=14.72 W=10	1	
15	7243-10-0150	Screw M8x1.25 L=22	1	
16	7243-10-0160	Nut 9/32-28	1	
17	7243-02-0150	Screw 15/64-28 L=15	2	
18	7243-02-0150	Screw 15/64-28 L=15	1	
19	7243-10-0190	Screw 15/64-28 L=15	1	
20	7243-10-0200	Hook Counter Spring	2	
21	7243-10-0210	Hinge Screw 3/16-28 D=5 L=15.6	2	
22	7243-08-0340	Screw 1/4-40 L=3.5	2	
23	7243-10-0230	Tapered Pin 4.0x16	1	

F. HOOK DRIVING SHAFT COMPONENTS (2/2)



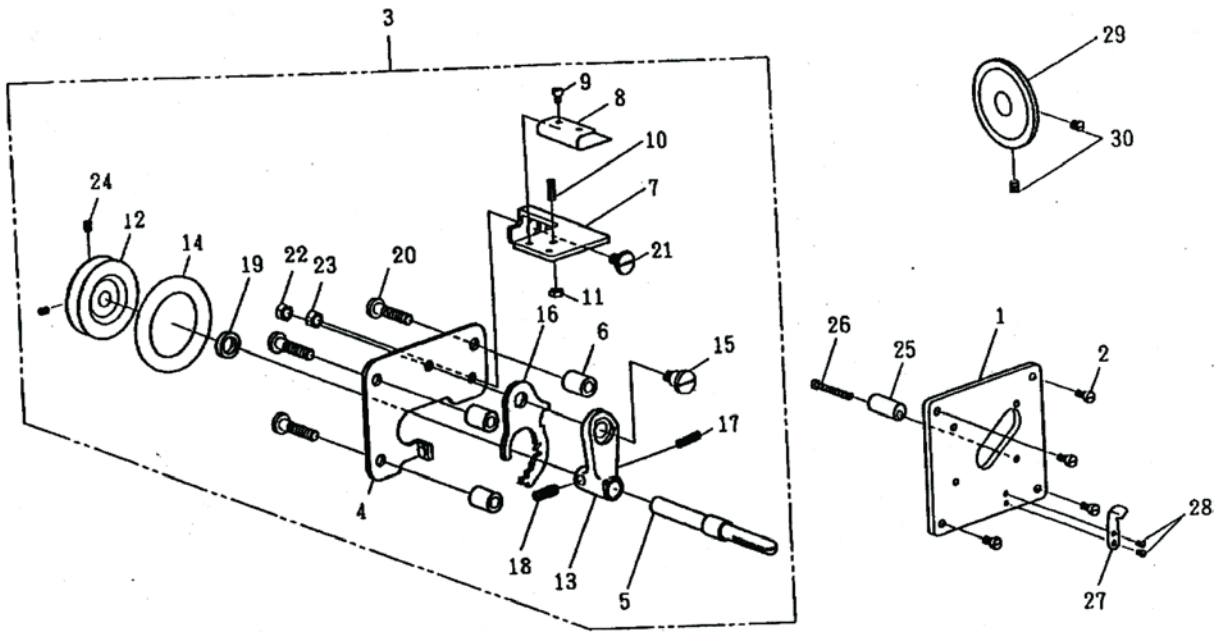
F. HOOK DRIVING SHAFT COMPONENTS (2/2)				
REF. NO	PARTS. NO	NAME OF PARTS	QTY	NOTE
1	7243-11-0010	Connecting Rod	1	
2	7243-11-0020	Con-Rod Eccentric Cam	1	
3	7243-11-0030	Cam Slide Plate	1	
4	7243-110040	Oscilating Rock Shaft	1	
5	7243-11-0050	Hinge Pin	1	
6	7243-11-0060	Rock Shaft Bushing	1	
7	7243-11-0070	Slide Plate A	1	
8	7243-11-0080	Slide Plate B	1	
9	7243-11-0090	Con-Rod Pin	1	
10	7243-11-0100	Con-Rod Pin Wedge	1	
11	7243-11-0110	Cage & Roller	1	
12	7243-11-0120	Screw 15/64-28 L=15	1	
13	7243-11-0130	Screw M8x1.25 L=22	2	
14	7243-11-0140	Screw 11/64-40 L=7	2	
15	7243-02-0200	Screw 15/64-28 L=7	1	
16	7243-11-0160	Oil Wick ϕ 2.5x80	1	
17	7243-11-0170	Plug 2.9x3.2x3	1	
18	7243-11-0180	Screw 11/64-40 L=24	2	
19	7243-11-0190	Nut 11/64-40	2	
20	7243-09-0160	Screw 3/16-32 L=18	1	
21	7243-11-0210	Screw 15/64-28 L=10.7	1	
22	7243-11-0220	Pin	2	
23	7243-11-0230	Washer	2	

G. TENSION POST COMPONENTS



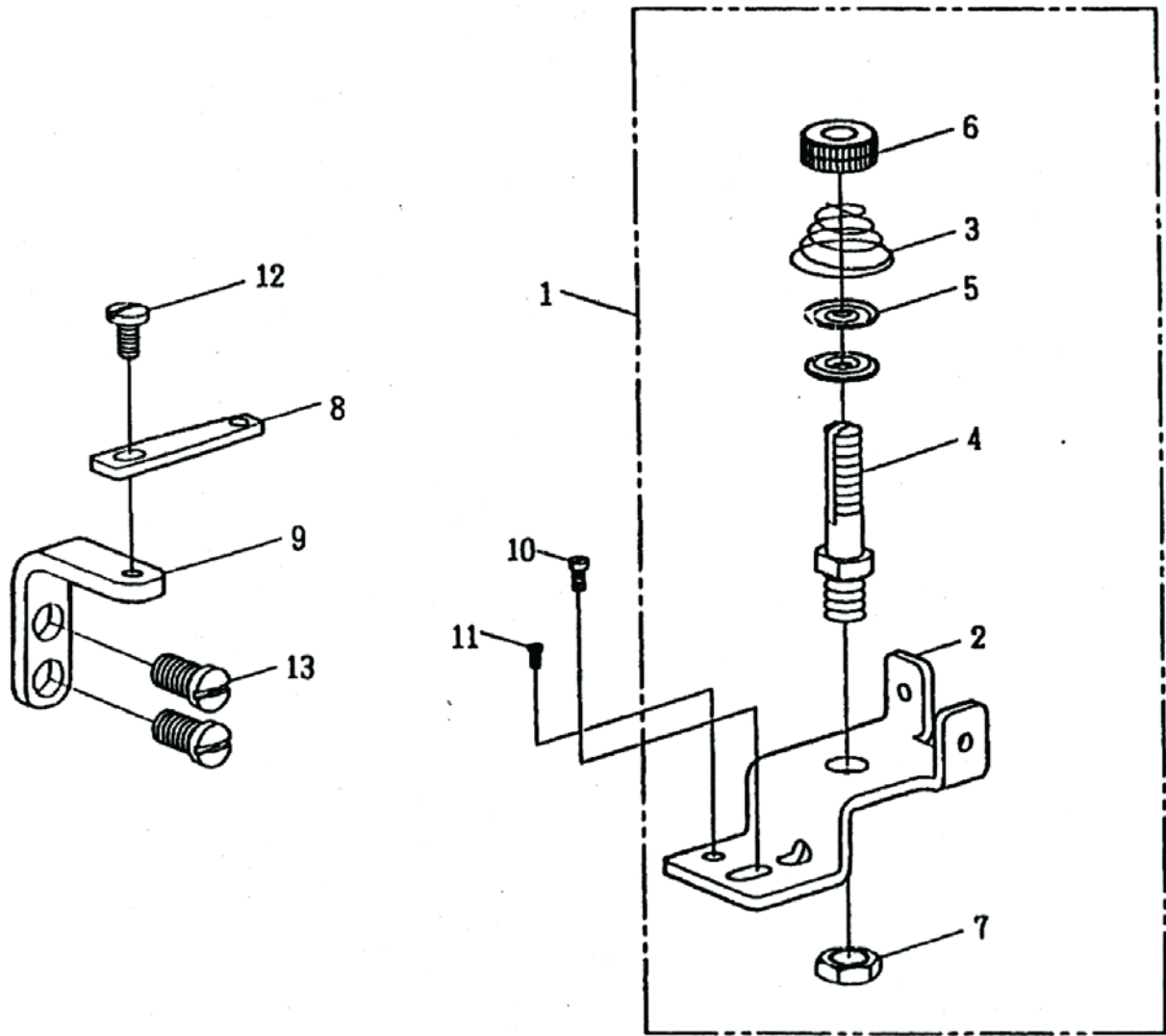
G. TENSION POST COMPONENTS				
REF. NO	PARTS. NO	NAME OF PARTS	QTY	NOTE
1	7243-12-0010	Thread Tension post	1	
2	7243-12-0020	Tension Disk	2	
3	7243-120300	Thread Tension Stud Nut	2	
4	7243-12-0040	Thread Tension Spring	2	
5	7243-12-0050	Thread Tension Post Bracket	1	
6	7243-12-0060	Thread Tension Guide	1	
7	7243-12-0070	Thread Releasing Plate	1	
8	7243-12-0080	Spring A	1	
9	7243-12-0090	Spring B	1	
10	7243-12-0100	Spring Support Plate	1	
11	7243-12-0110	Thread Tension Wheel Post	1	
12	7243-12-0120	Thread Tension Wheel	1	
13	7243-12-0130	Wheel Felt	2	
14	7243-12-0140	Felt Support Plate	2	
15	7243-12-0150	Arm Thread Guide Bottom Asm.	1	
16	7243-12-0160	Frame Thread Guide	1	
17	7243-10-0160	Nut 9/32-28	1	
18	7243-12-0180	Hinge Screw D=6.0 L=12	1	
19	7243-12-0190	Nut 15/64-28	1	
20	7243-12-0200	Screw 11/64-40 L=12	2	
21	7243-12-0210	Screw 9/64-40 L=6	1	
22	7243-01-0110	Screw 9/64-40 L=7	1	
23	7243-12-0230	Screw 9/64-40 L=5	1	
24	7243-01-0110	Screw 9/64-40 L=7	1	
25	7243-12-0250	Thread Guide	1	

H. THREAD WINDER & THREAD GUIDE COMPONENTS (1/2)



H. THREAD WINDER & THREAD GUIDE COMPONENTS (1/2)				
REF. NO	PARTS. NO	NAME OF PARTS	QTY	NOTE
1	7243-13-0010	Thread Winder Plate	1	
2	7243-12-0200	Screw 11/64-40 L=9	4	
3	7243-13-0030	Thread Winder Asm.	1	
4	7243-13-0040	Thread Winder Base	1	
5	7243-13-0050	Thread Winder Shaft	1	
6	7243-13-0060	Spacer	3	
7	7243-13-0070	Bobbin Presser	1	
8	7243-13-0080	Bobbin Presser Spring	1	
9	7243-13-0090	Screw 3/32-56 L=3.3	2	
10	7243-13-0100	Adjusting Screw	1	
11	7243-13-0110	Nut 1/8-44	1	
12	7243-13-0120	Bobbin Winder Wheel	1	
13	7243-13-0130	Bobbin Winder Frame	1	
14	7243-13-0140	Wheel Ring	1	
15	7243-13-0150	Hinge Screw	1	
16	7243-13-0160	Bobbin Winder Tension Bracket	1	
17	7243-13-0170	Spring	1	
18	7243-13-0180	Bobbin Winder Spring	1	
19	7243-13-0190	Thread Winding Shaft Collar	1	
20	7243-13-0200	Screw 11/64-40 L=18	3	
21	7243-13-0210	Hinge Screw D=7.24 L=1.9	1	
22	7243-13-0220	Nut 11/64-40	1	
23	7243-13-0220	Nut 11/64-40	1	
24	7243-13-0240	Screw 11/64-40 L=5	2	
25	7243-13-0250	Stopper	1	
26	7243-13-0260	Screw 11/64-40 L=30	1	
27	7243-02-0040	Thread Cut & Clamp Plate	1	
28	7243-13-0280	Screw 1/8-44 L=4	2	
29	7243-13-02900	Friction Wheel	1	
30	7243-02-0200	Screw 15/64-28 L=7	2	

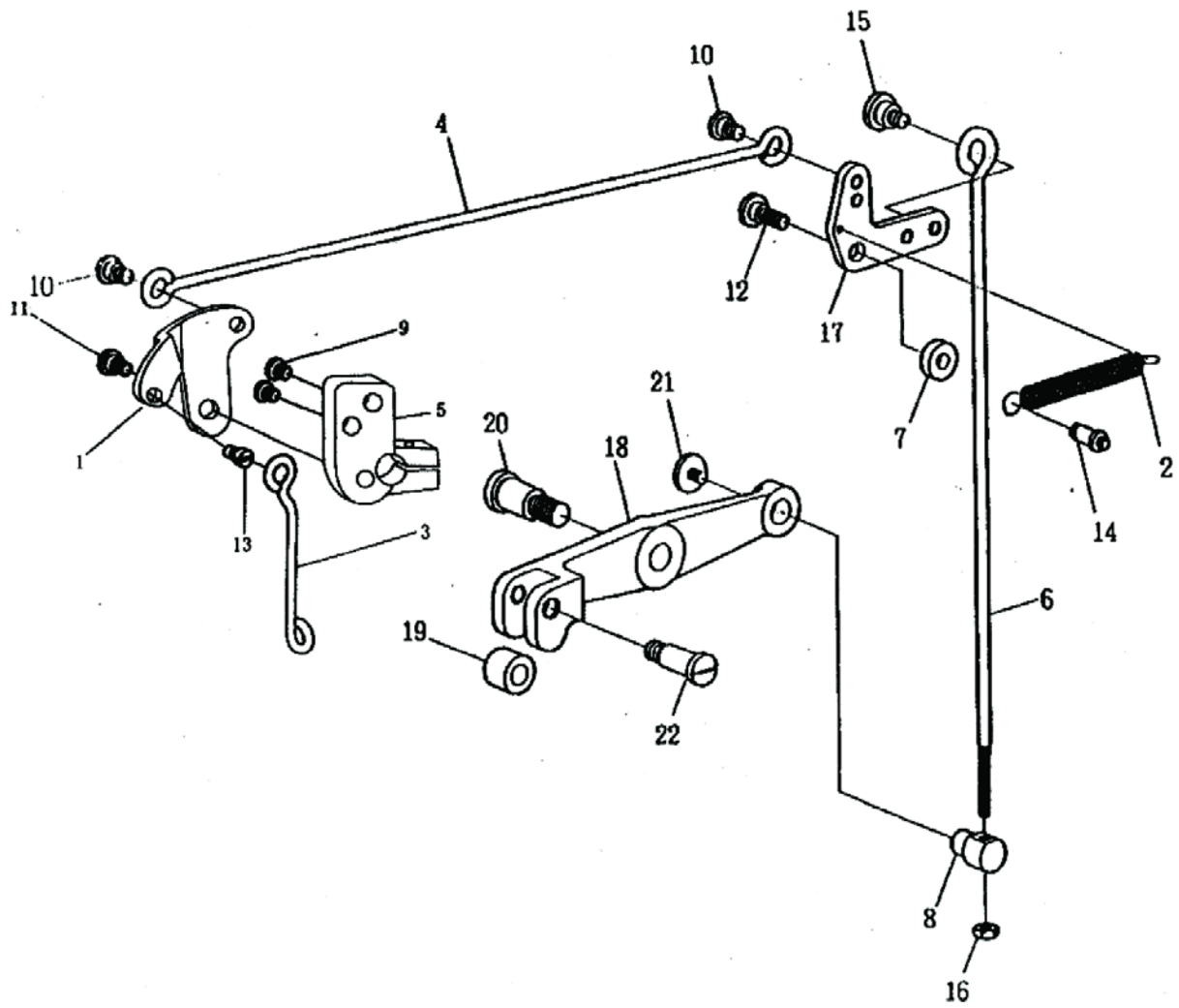
H. THREAD WINDER & THREAD GUIDE COMPONENTS (2/2)



H. THREAD WINDER & THREAD GUIDE COMPONENTS (2/2)

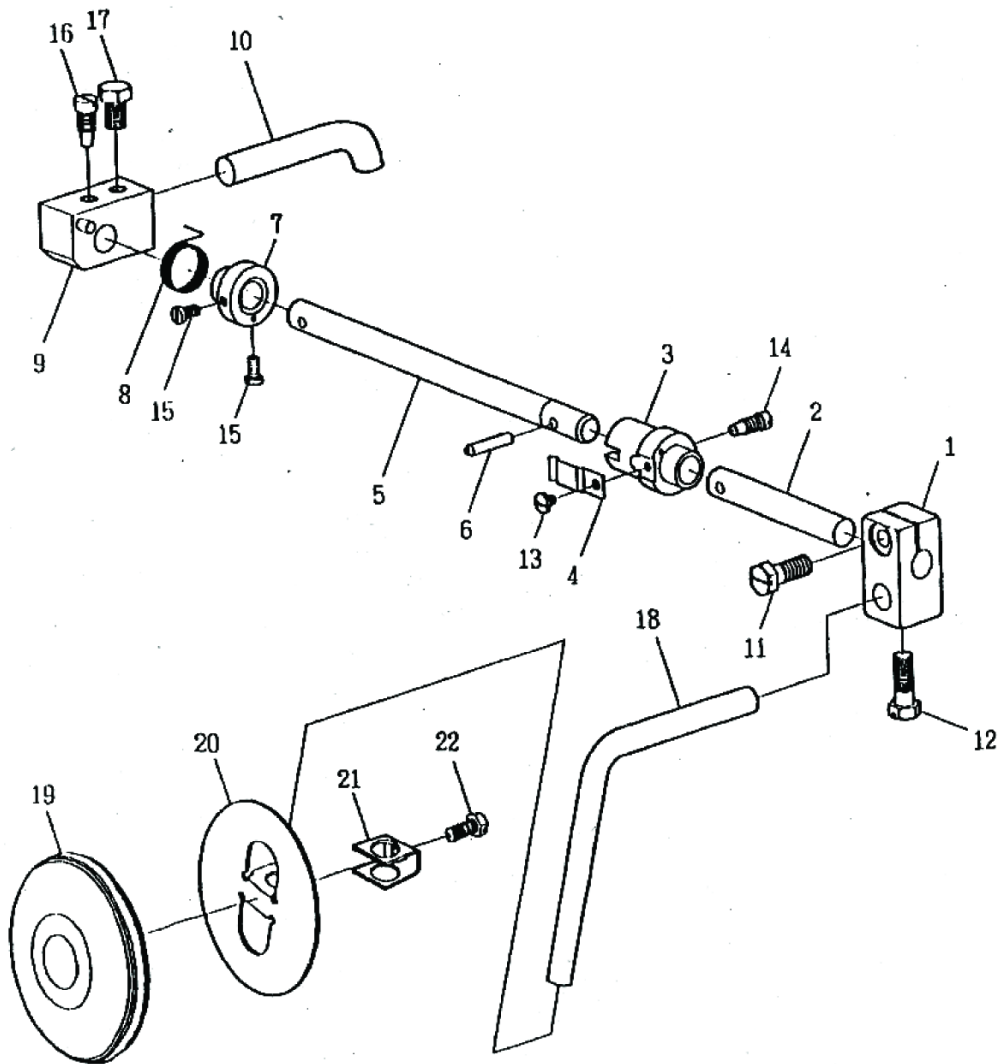
REF. NO	PARTS. NO	NAME OF PARTS	QTY	NOTE
1	7243-14-0010	Thread Winder Guide Base Asm.	1	
2	7243-14-0020	Thread Winder Guide Base	1	
3	7243-14-0030	Tension Spring	1	
4	7243-12-0010	Thread Tension Post	1	
5	7243-12-0020	Tension Disk	2	
6	7243-12-0030	Thread Tension Stud Nut	1	
7	7243-10-0160	Nut 9/32-28	1	
8	7243-14-0080	Thread Guide	1	
9	7243-14-0090	Guide Bracket	1	
10	7243-14-0100	Screw 11/64-40 L=8.5	1	
11	7243-14-0110	Screw 1/8-44 L=6	1	
12	7243-01-0110	Screw 9/64-40 L=7	1	
13	7243-04-0200	Screw 15/64-28 L=10.5	2	

I. KNEE LIFTER COMPONENTS (1/2)



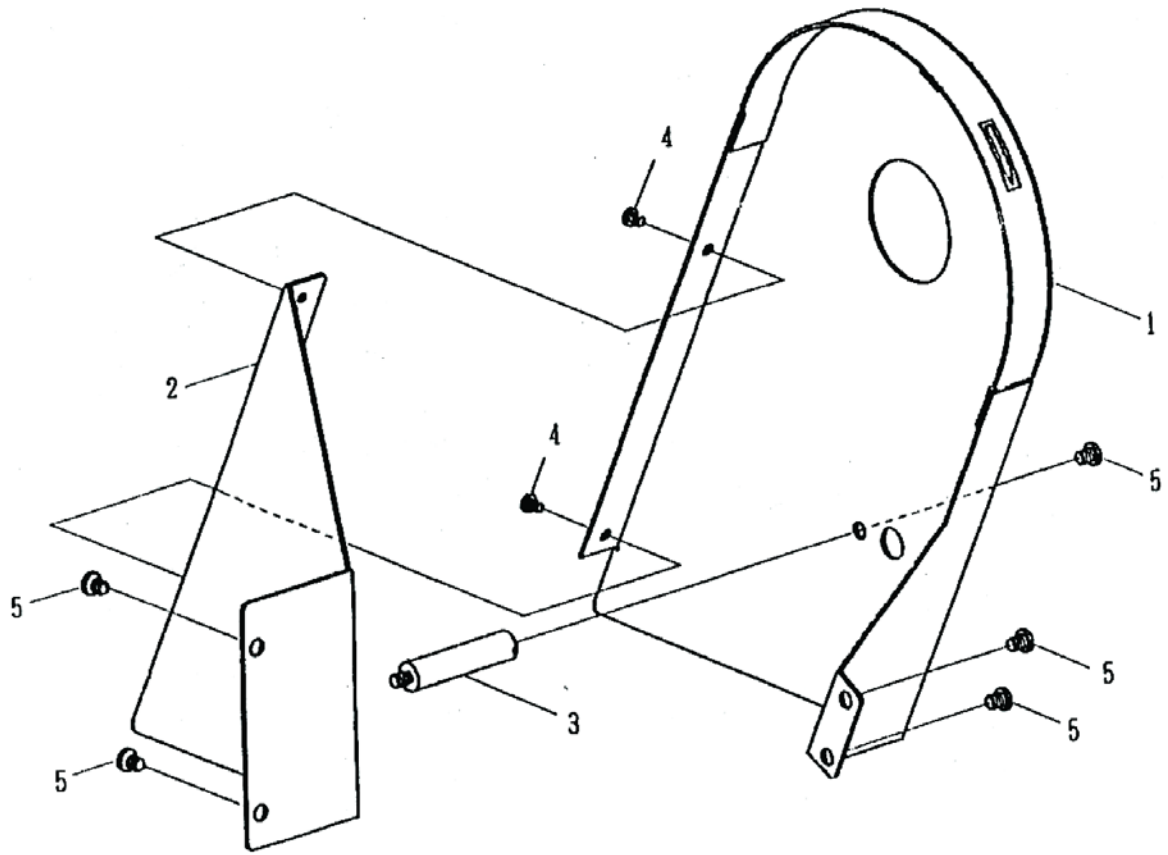
I. KNEE LIFTER COMPONENTS (1/2)				
REF. NO	PARTS. NO	NAME OF PARTS	QTY	NOTE
1	7243-15-0010	Presser Bar Lifting Link	1	
2	7243-15-0020	Presser Bar Lifting Spring	1	
3	7243-15-0030	Presser Bar Lifting Bar	1	
4	7243-15-0040	Slide Connecting Bar	1	
5	7243-15-0050	Link Base	1	
6	7243-15-0060	Lifting Lever Connecting Rod	1	
7	7243-15-0070	Link Collar	1	
8	7243-15-0080	Adjusting Rod	1	
9	7243-15-0090	Screw 15/64-28 L=6.5	2	
10	7243-15-0100	Hinge Screw 15/64-28 D=7.94 L=4.3	2	
11	7243-15-0110	Hinge Screw 15/64-28 D=7.94 L=4.3	1	
12	7243-15-0120	Hinge Screw 15/64-28 D=7.94 L=4.3	1	
13	7243-15-0130	Hinge Screw	2	
14	7243-15-0140	Screw 11/64-40	2	
15	7243-15-0150	Hinge Screw M6x1 D=10 L=6	1	
16	7243-15-0160	Nut 3/16-32	1	
17	7243-15-0170	Presser Bar Lifting Link	1	
18	7243-15-0180	Knee Lifter Crank (Rear)	1	
19	7243-15-0190	Roller	1	
20	7243-15-0200	Hinge Screw 3/8-28 D=12.5 L=17.2	1	
21	7243-15-0210	Screw 3/16-32 L=6.5	1	
22	7243-15-0220	Hinge Screw M8x1.25 D=9.8 L=19	1	

I. KNEE LIFTER COMPONENTS (2/2)



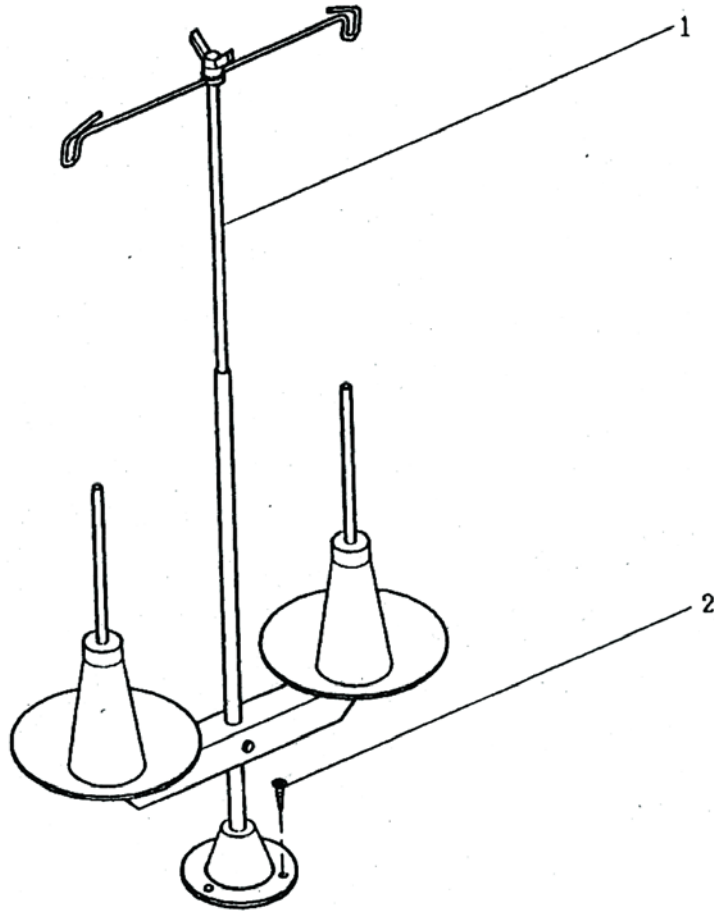
I. KNEE LIFTER COMPONENTS (2/2)				
REF. NO	PARTS. NO	NAME OF PARTS	QTY	NOTE
1	7243-16-0010	Knee Lifter Crank (Front)	1	
2	7243-16-0020	Knee Lifter Coupling Shaft	1	
3	7243-16-0030	Knee Lifter Coupling	1	
4	7243-16-0040	Spring Plate	1	
5	7243-16-0050	Knee Lifter Shaft	1	
6	7243-16-0060	Pin	1	
7	7243-16-0070	Retaining Plate	1	
8	7243-16-0080	Spring	1	
9	7243-16-0090	Knee Lever Rod Asm.	1	
10	7243-16-0100	Knee Lever Rod	1	
11	7243-02-0220	Screw 5/16-24 L=21	1	
12	7243-02-0220	Screw 5/16-24 L=21	1	
13	7243-16-0130	Screw 9/64-40 L=5	1	
14	7243-16-0140	Screw 15/64-28 L=14.5	1	
15	7243-14-0100	Screw 11/64-40 L=8.5	2	
16	7243-16-0160	Screw 9/32-28 L=16	1	
17	7243-16-0170	Screw 5/16--24 L=13	1	
18	7243-16-0180	Knee Lever Rod	1	
19	7243-16-0190	Knee Guide	1	
20	7243-16-0200	Knee Plate	1	
21	7243-16-0210	Retainer	1	
22	7243-16-0220	Screw 15/64-28 L=14	1	

J. BELT COVER COMPONENTS



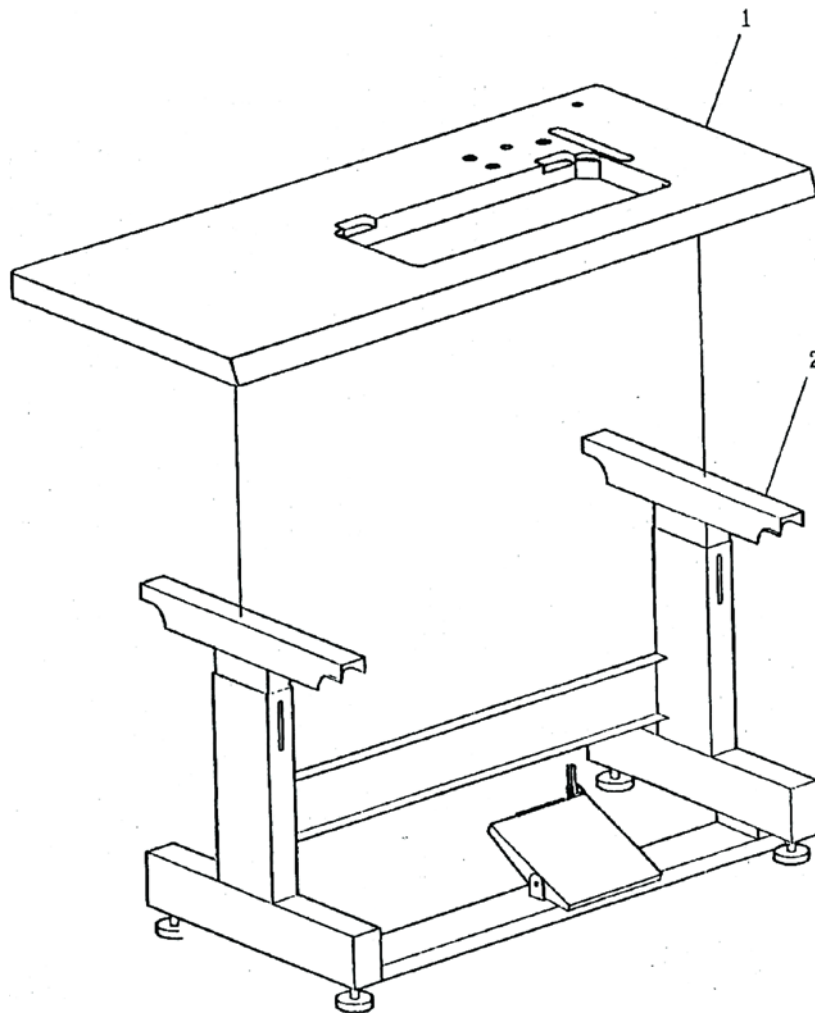
J. BELT COVER COMPONENTS				
REF. NO	PARTS. NO	NAME OF PARTS	QTY	NOTE
1	7243-17-0010	Belt Cover A	1	
2	7243-17-0020	Belt Cover B	1	
3	7243-17-0030	Belt Cover Stud	1	
4	7243-17-0040	Screw 11/64-40 L=5	2	
5	7243-15-0100	Screw 15/64-28 =6.5	5	

K. THREAD STAND COMPONENTS



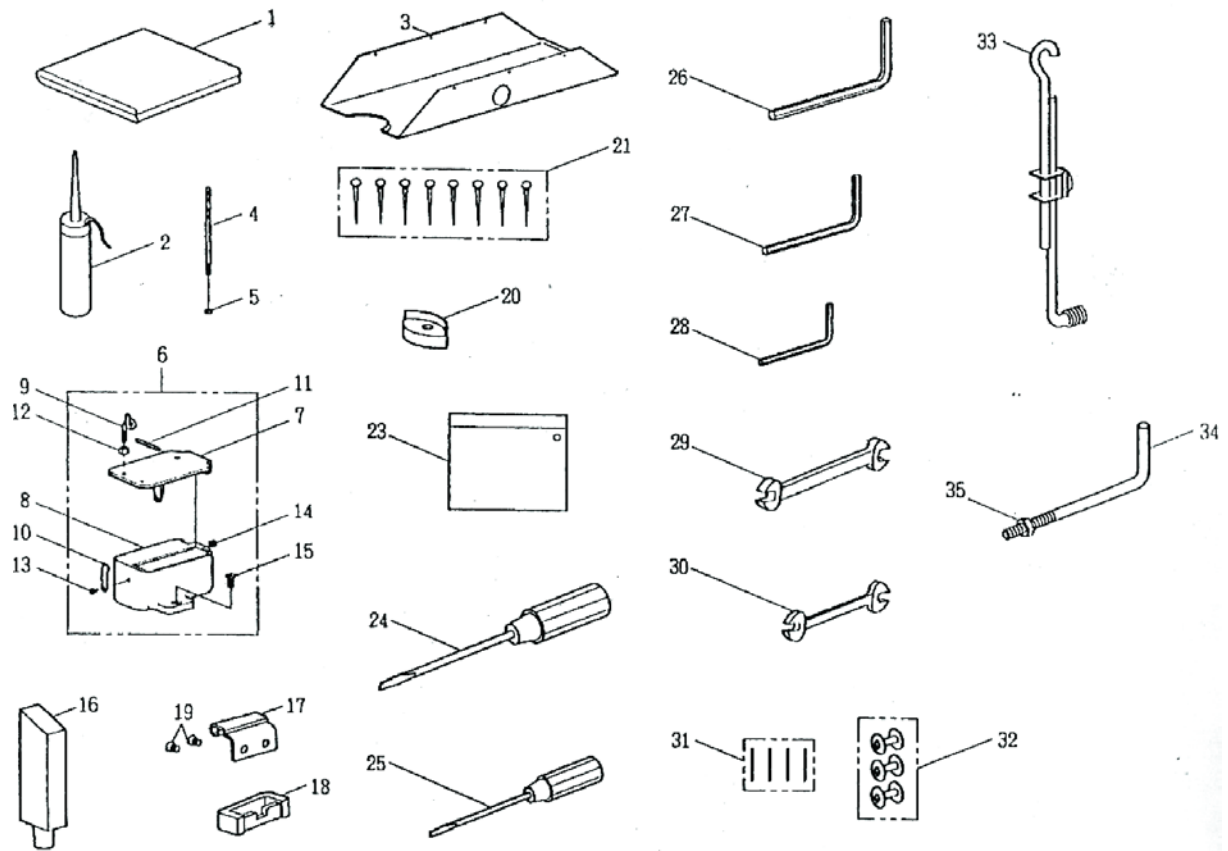
K. THREAD STAND COMPONENTS				
REF. NO	PARTS. NO	NAME OF PARTS	QTY	NOTE
1	7243-18-0010	Thread Stand	1	
2	7243-18-0020	Wood Screw L=18	3	

L. TABLE COMPONENTS



L. TABLE COMPONENTS				
REF. NO	PARTS. NO	NAME OF PARTS	QTY	NOTE
1	7243-19-0010	Table	1	
2	7243-19-0020	Stand	1	

M. ACCESSORIES PARTS COMPONENTS



M. ACCESSORIES PARTS COMPONENTS				
REF. NO	PARTS. NO	NAME OF PARTS	QTY	NOTE
1	7243-20-0010	Cover	1	
2	7243-20-0020	Oiler	1	
3	7243-20-0030	Oil Pan	1	
4	7243-20-0040	Needle Thread Guide Pin	1	
5	7243-20-0050	Nut 3/16-32	1	
6	7243-20-0060	Oil Pot Asm.	1	
7	7243-20-0070	Oil Pot Cover	1	
8	7243-20-0080	Oil Pot	1	
9	7243-20-0090	Frame Thread Guide	1	
10	7243-20-0100	Cover Stopper	1	
11	7243-20-0110	Pin	1	
12	7243-20-0120	Nut 3/32-56	1	
13	7243-01-0110	Screw 9/64-40 L=7	1	
14	7243-20-0140	Screw 9/64-40 L=3.5	1	
15	7243-20-0150	Screw 15/64-28 L=12	1	
16	7243-20-0160	Arm Support	1	
17	7243-20-0170	Head Hinge	2	
18	7243-20-0180	Rubber Hinge	2	
19	7243-02-0190	Screw 9/32-28 L=9.7	4	
20	7243-20-0200	Vibration Preventing Rubber	4	
21	7243-20-0210	Nail	8	
22	7243-20-0220	Accessory Box	1	
23	7243-20-0230	Screw Driver (large)	1	
24	7243-20-0240	Screw Driver (small)	1	
25	7243-20-0250	Hexagonal Wrench Key (5 mm)	1	
26	7243-20-0260	Hexagonal Wrench Key (4 mm)	1	
27	7243-20-0270	Hexagonal Wrench Key (3 mm)	1	
28	7243-20-0280	Wrench (11x14)	1	
29	7243-20-0290	Wrench (9x10)	1	
30	7243-04-0040	Needle (794Nm=230-4)	1	
31	7243-10-0110	Bobbin	3	
33	7243-20-0330	Motor Connecting Rod Asm.	1	
34	7243-20-0340	Supporting Arm	1	
35	7243-20-0350	Nut 15/64-28	1	